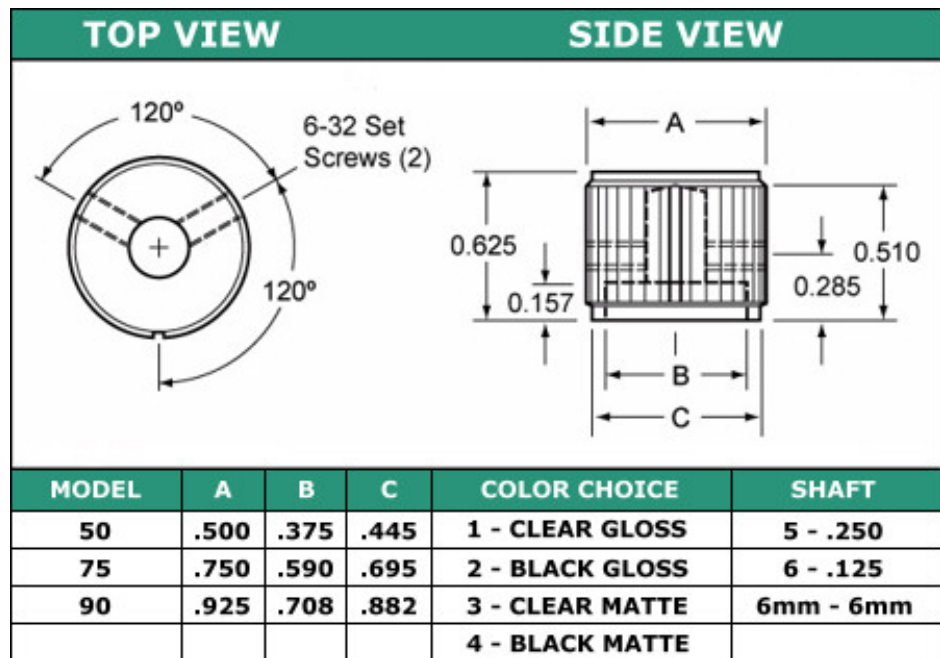


Mechanical Specifications: **DD SERIES**



DD90 - Black Gloss, DD75 - Black Matte & Clear Gloss, DD50- Clear Matte

DD Series: The "DD Series" knob is one of our most popular. The distinctive styling along with the straightforward functionality makes this knob an outstanding selection for any panel application. Saw cut indicator line on front length. Two 6-32 set screws.



contact:



1952 Ironton Blvd
Provo, UT 84606
USA

TEL 801.377.5530
FAX 801.377.5573